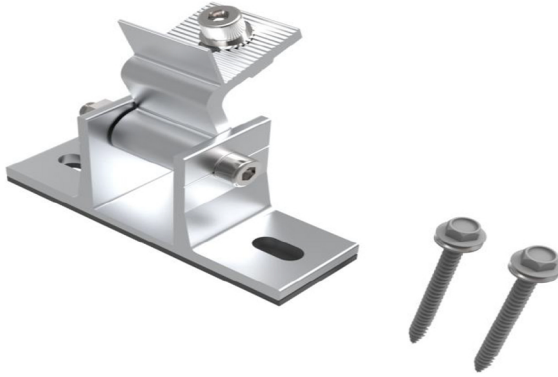
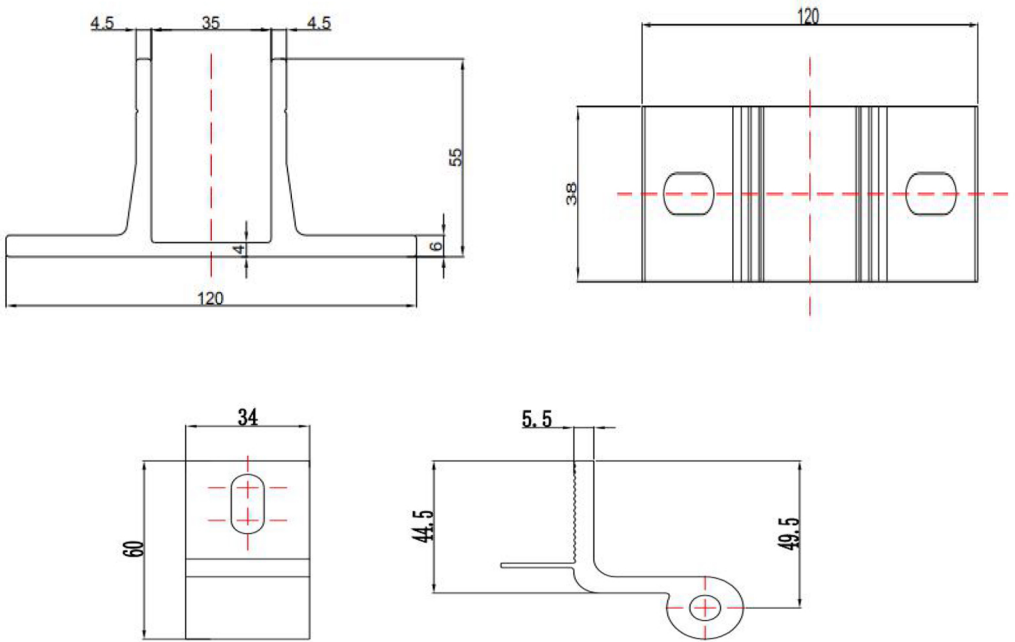


## Tilt Front Leg



Part No.: GM-AS-B01-D



## Tilt Front Leg

### Technical Data

|                   |  |
|-------------------|--|
| Description       | Tilt Front Leg with 2pcs of Screw 6.3*80 |
| Dimension         | L120xW38xH55mm                           |
| Material          | AL6005-T5/SUS304                         |
| Weight            | About 0.29kg/unit                        |
| Surface Treatment | Anodized (10 micron)                     |